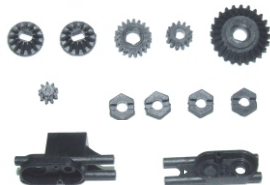


SPARE PART LIST

24701



Gears+Centre Gears Mount+Wheel Hex.

24702



Front Gear Box Housing + Rear Gear Box Housing

24703



Steering Hubs+Centre Bottom Mount +TVP Mount

24704



Shock Top Mount+ Wheel Hub Carriers

24705



Battery Case With Connector Welded

24706



Servo Mount+Servo Retainer+Steering Plates+Shock Bottom Mount+Body Posts +Shock Bodies+Pads

24707



Centre Front /Rear Drive Shafts + Pivot Balls+ Centre Outdrives

24708



Linkage Rod Ends (long+short, 8pcs each)
Long ones for bent linkage (Part Number: 24739),
short ones for straight linkage (Part Number:
24720,24721 and 24723)

24709



Wheel Rims + Wheel Frames + Cap Head Hex. Self Tapping Screw 1.5*4mm(24PC)

24710



2PCS

V-tread Rock Crawler Tyres

88014A



Servo Saver Kit

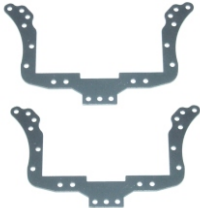











24712





4PCS

Shock Spring Coils




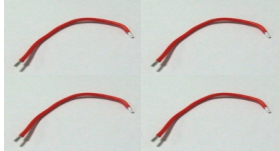


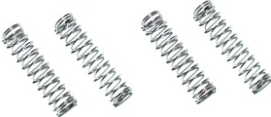
SPARE PART LIST

<p>24713</p>  <p>TVP chassis (aluminum)</p>	<p>24714</p>  <p>Top Mount Plate (aluminum)</p>	<p>24715</p>  <p>4PCS</p> <p>Drive Shafts</p>	<p>24716</p>  <p>2PCS</p> <p>Front/rear Spur Gear Shafts</p>
<p>24717</p>  <p>2PCS</p> <p>Pinion Gear Shafts</p>	<p>24718</p>  <p>4PCS</p> <p>Wheel Shafts</p>	<p>24719</p>  <p>4PCS</p> <p>TVP Post (L=29mm)</p>	<p>24720</p>  <p>4PCS</p> <p>Lower Suspension Linkage Bars M2.2*39mm (straight)</p>
<p>24721</p>  <p>2PCS</p> <p>Steering Linkage Bars M2.2*25mm</p>	<p>24722</p>  <p>2PCS</p> <p>Centre Spur Gear Shafts</p>	<p>24723</p>  <p>4PCS</p> <p>Upper Linkage Bars</p>	<p>24724</p>  <p>2PCS</p> <p>Battery Brace</p>

SPARE PART LIST

<p>24725</p>  <p>4PCS Centre Idle Gear Pin ϕ 1.5*9.5mm</p>	<p>24726</p>  <p>4PCS Wheel Hex. Pin ϕ 1.5*6.9mm</p>	<p>24727</p>  <p>Copper Bushes Complete A) ϕ 2*5*2.5mm (4P) , B) ϕ 3*6*2.5mm(9P) C) ϕ 3*7*3mm (2P), D) ϕ 4*7*2.5mm(2P) E) ϕ 4*8*3mm (2P)</p>	<p>24728</p>  <p>8PCS Steering Ball Stud. (ϕ 3.8mm)</p>
<p>24005</p>  <p>8PCS Ball Stud. ϕ 3.8*7.6mm</p>	<p>24729</p>  <p>12PCS Sleeve Bush (ϕ 4*3.5mm)</p>	<p>24730</p>  <p>8PCS M2 Lock Nut</p>	<p>24731</p>  <p>16P Shims(ϕ 3.1*6*0.5mm)</p>
<p>24732</p>  <p>4PCS Body Clips</p>	<p>88013</p>  <p>Servo (9g)</p>	<p>24734</p>  <p>PCB (receiver and ESC integrated)</p>	<p>24735</p>  <p>Motor</p>

SCREWS REQUIRED

<p>H021</p>  <p>12PCS</p> <p>Body Clip A/B- Small</p>	<p>24736</p>  <p>Battery Case Connector (L=57mm)</p>	<p>24737</p>  <p>Motor Connector (L=56mm)</p>	<p>24738</p>  <p>4PCS</p> <p>Battery Wires (L=20mm)</p>
<p>24739</p> <p>Optional</p>  <p>Lower Suspension Linkage Bars (bent) - optional</p>	<p>H017</p>  <p>6PCS</p> <p>Lock Nut M2.5</p>	<p>24740</p> <p>Optional</p>  <p>Shock Spring Coils (Softer)</p>	

SPARE PART LIST

<p>24750</p>  <p>12PCS</p> <p>Washer Head Self Tapping Screw 2*8mm (12PCS)</p>	<p>24751</p>  <p>12PCS</p> <p>Washer Head Self Tapping Screw 1.8*4.5mm(12PCS)</p>	<p>24752</p>  <p>12PCS</p> <p>Washer Head Self Tapping Screw 1.4*2.3mm(12PCS)</p>	<p>24753</p>  <p>4PCS</p> <p>Washer Head Screw 2*18mm (4PCS)</p>
<p>24754</p>  <p>12PCS</p> <p>Washer Head Screw 2*10mm (12PCS)</p>	<p>24755</p>  <p>12PCS</p> <p>Washer Head Screw 2*8mm (12PCS)</p>	<p>24756</p>  <p>12PCS</p> <p>Washer Head Screw 2*6mm (12PCS)</p>	<p>24757</p>  <p>12PCS</p> <p>Washer Head Screw 2*4mm (12PCS)</p>
<p>24758</p>  <p>12PCS</p> <p>Washer Head Screw 1.5*6mm (12PCS)</p>	<p>24759</p>  <p>12PCS</p> <p>Washer Head Screw 1.5*3mm(12PCS)</p>	<p>24760</p>  <p>12PCS</p> <p>Countersunk Self Tapping Screw 2*6mm(12PCS)</p>	<p>24761</p>  <p>12PCS</p> <p>Countersunk Self Tapping Screw 2*4mm(12PCS)</p>

SPARE PART LIST

24762



12PCS

Cap Head Hex. Self Tapping
Screw 1.5*4mm(12PC)

24763

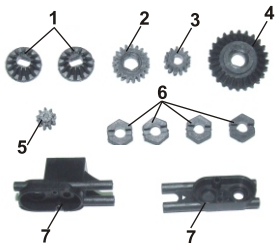


12PCS

Cap Head Hex. Self Tapping
Screw 1.5*5mm(12PC)

MORE INFORMATION ABOUT THE PARTS IN BIG PACKAGES

24701

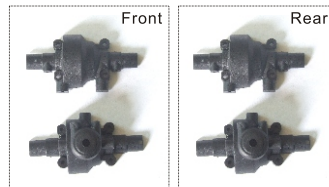


Gears+Centre Gears Mount+Wheel
Hex.



1. Pinion Gear
2. Centre Spur Gear
3. Motor Pinion
4. Front/Rear Spur Gear
5. Centre Idle Gear
6. Wheel Hex.
7. Centre Gears Mount

24702



Front Gear Box Housing + Rear
Gear Box Housing



Gear Box Housing (for front and rear
gear box in common)

MORE INFORMATION ABOUT THE PARTS IN BIG PACKAGES

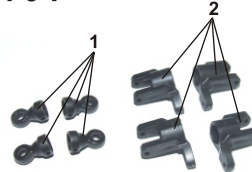
24703



Steering Hubs+Centre Bottom Mount
+TVP Mount

- 1. Steering Hub
- 2. TVP (Twin Vertical Plate) Mount
- 3. Centre Bottom Mount

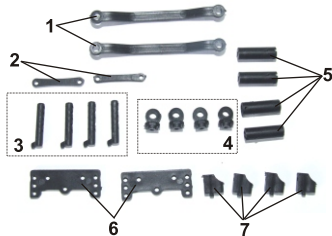
24704



Shock Top Mount+ Wheel Hub
Carriers

- 1. Shock Top Mount
- 2. Wheel Hub Carriers (left/right)

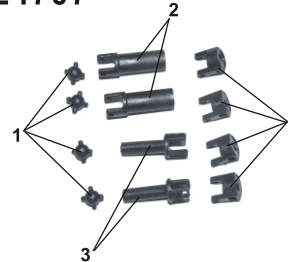
24706



Servo Mount+Servo Retainer+Steering
Plates+Shock Bottom Mount+Body Posts
+Shock Bodies+Pads

- 1. Steering Ackerman Plate
- 2. Rear Steering Lock Plate
- 3. Body Post
- 4. Shock Bottom Mount
- 5. Shock Body
- 6. Servo Mount
- 7. Servo Retainer

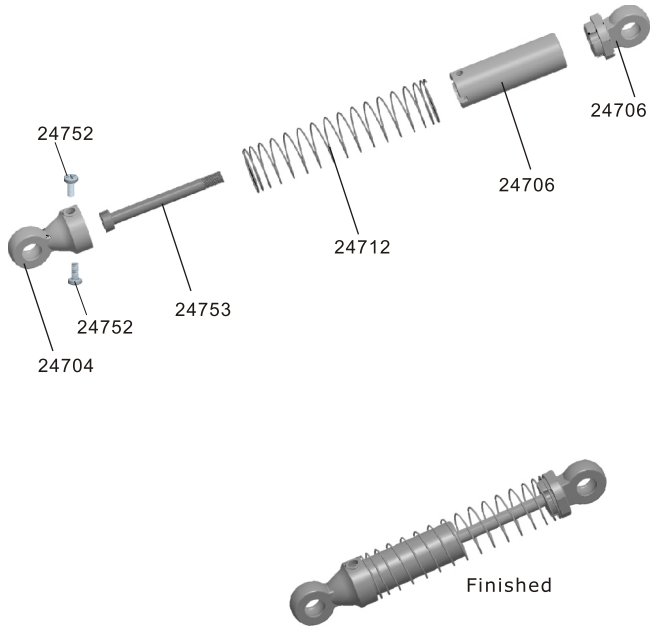
24707



Centre Front /Rear Drive Shafts +
Pivot Balls+ Centre Outdrives

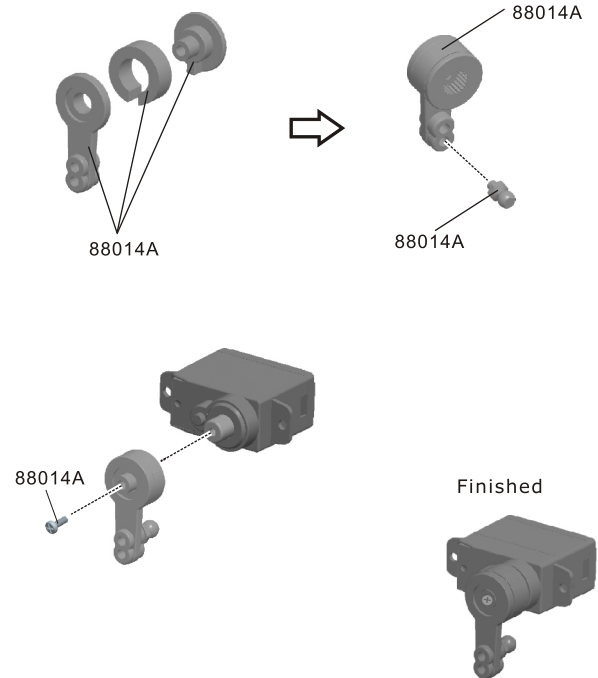
- 1. Centre Front/rear Drive Pivot Ball
- 2. Centre Front/rear Drive Shaft
Holder
- 3. Centre Front/rear Drive Shaft
- 4. Centre Outdrives

SHOCK SET ASSEMBLY



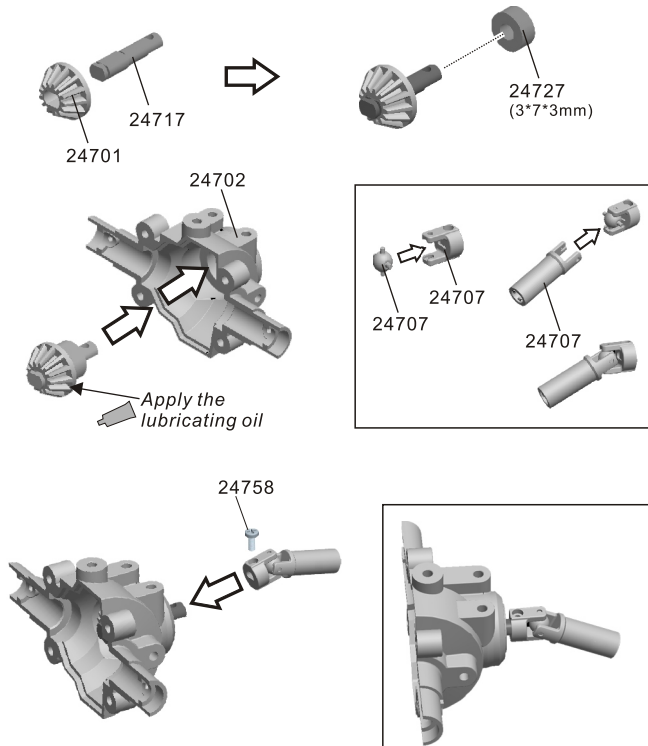
Note: The illustration might vary from the actual part.

SERVO SET ASSEMBLY



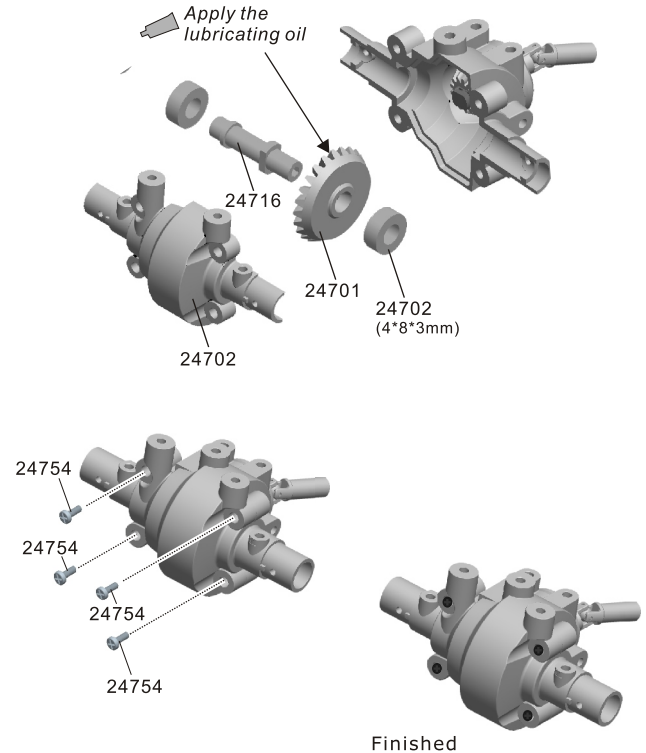
Note: The illustration might vary from the actual part.

FRONT/REAR AXIAL/ GEAR BOX ASSEMBLY-1



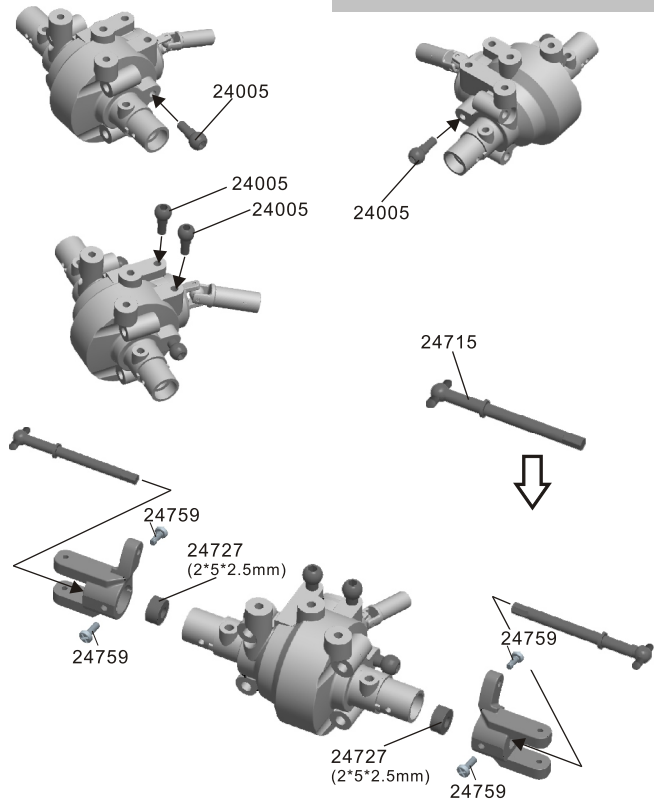
Note: The illustration might vary from the actual part.

FRONT/REAR AXIAL/ GEAR BOX ASSEMBLY-2



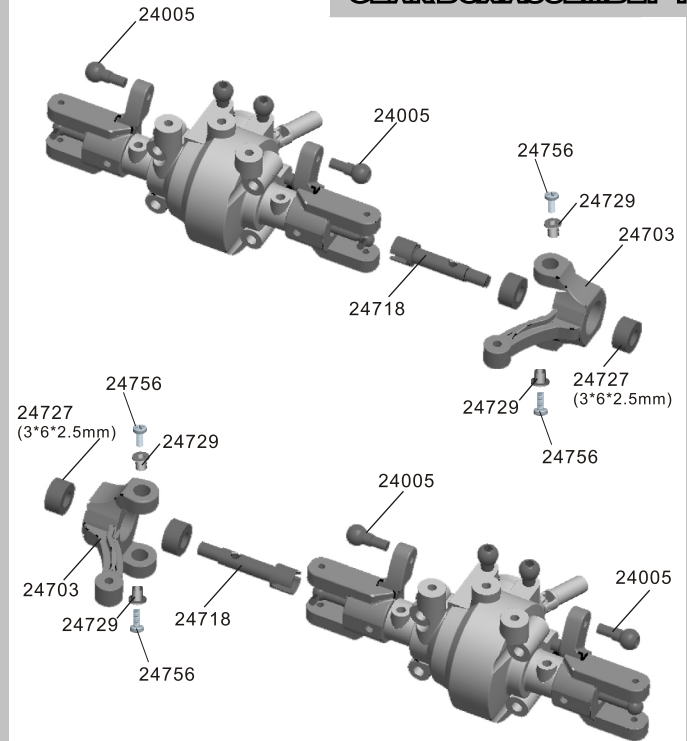
Note: The illustration might vary from the actual part.

FRONT/REAR AXIAL/ GEAR BOX ASSEMBLY-3



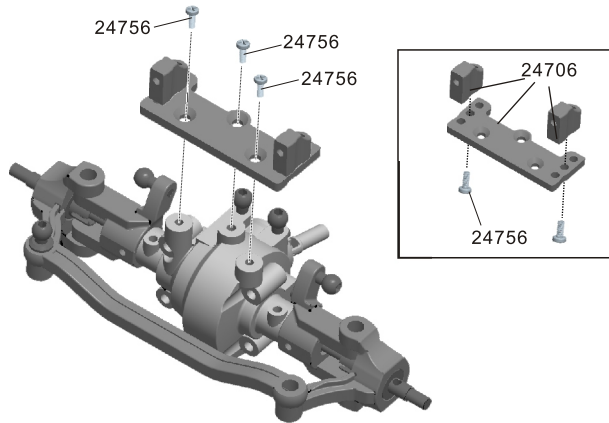
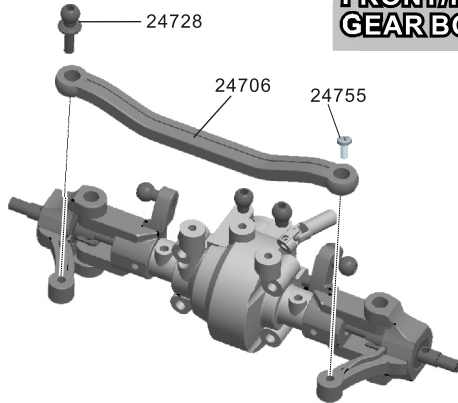
Note: The illustration might vary from the actual part.

FRONT/REAR AXIAL/ GEAR BOX ASSEMBLY-4



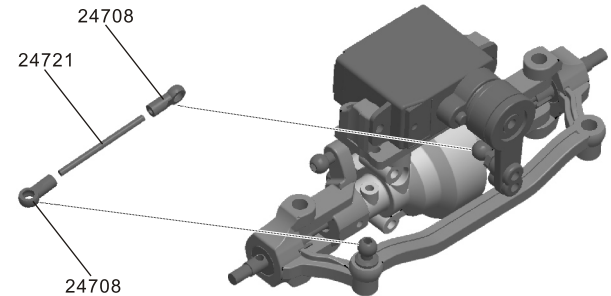
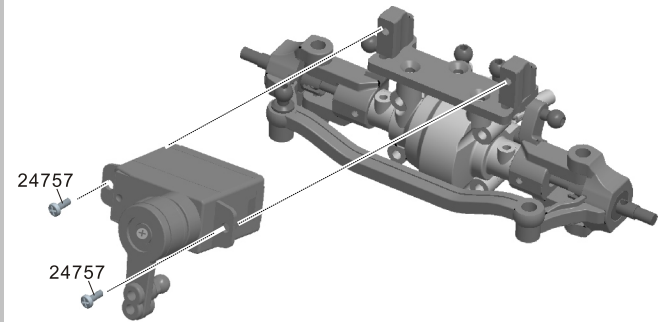
Note: The illustration might vary from the actual part.

FRONT/REAR AXIAL/ GEAR BOX ASSEMBLY-5



Note: The illustration might vary from the actual part.

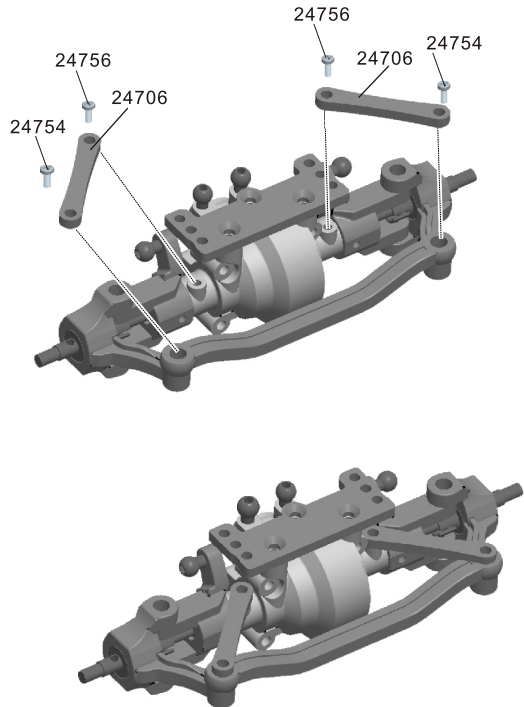
FRONT/REAR AXIAL/ GEAR BOX ASSEMBLY-6



Tip: If your rock crawler is of four wheel steering, both front servo and rear servo demand being installed in the same way.

Note: The illustration might vary from the actual part.

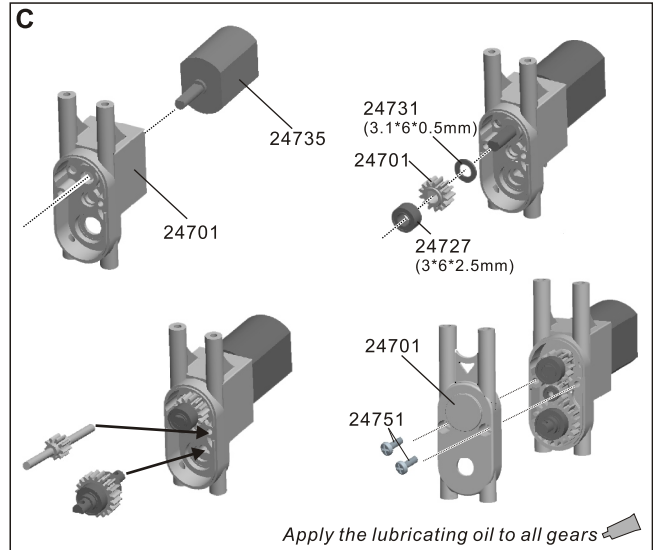
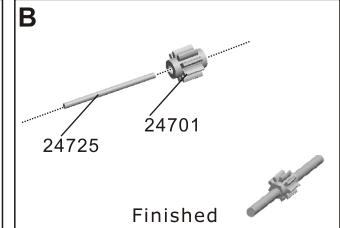
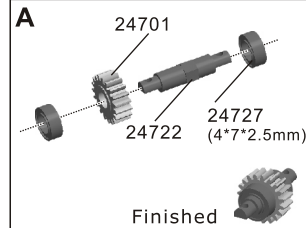
FRONT/REAR AXIAL/ GEAR BOX ASSEMBLY-7



Tip: If your rock crawler is of two wheel steering, perform the installation on the rear as shown above.

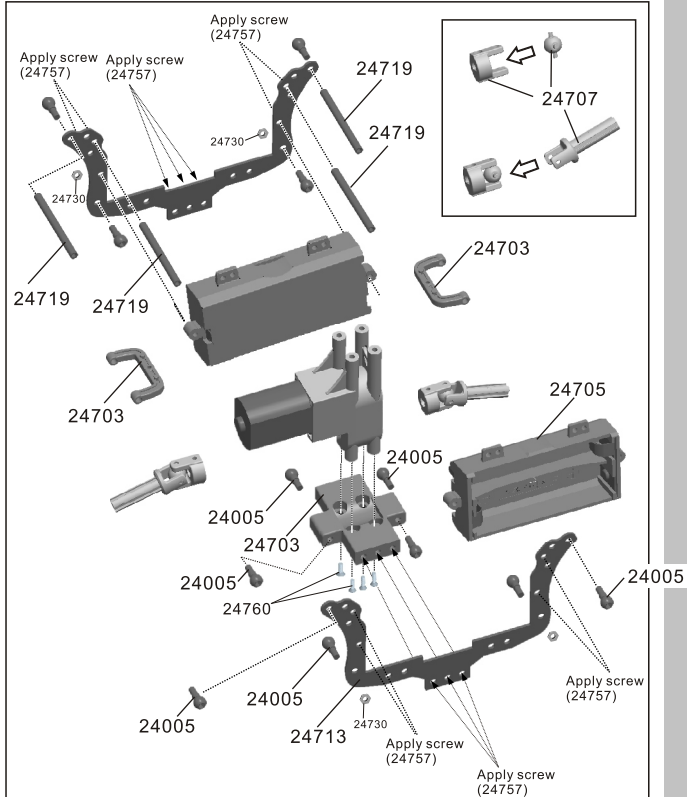
Note: The illustration might vary from the actual part.

CENTRE GEARBOX ASSEMBLY



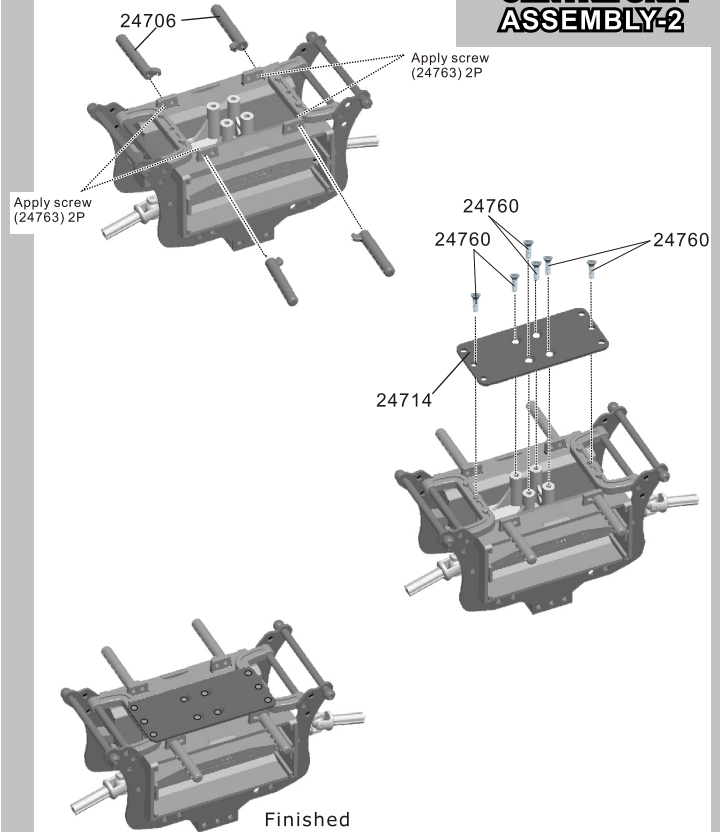
Note: The illustration might vary from the actual part.

CENTRE UNIT ASSEMBLY-1



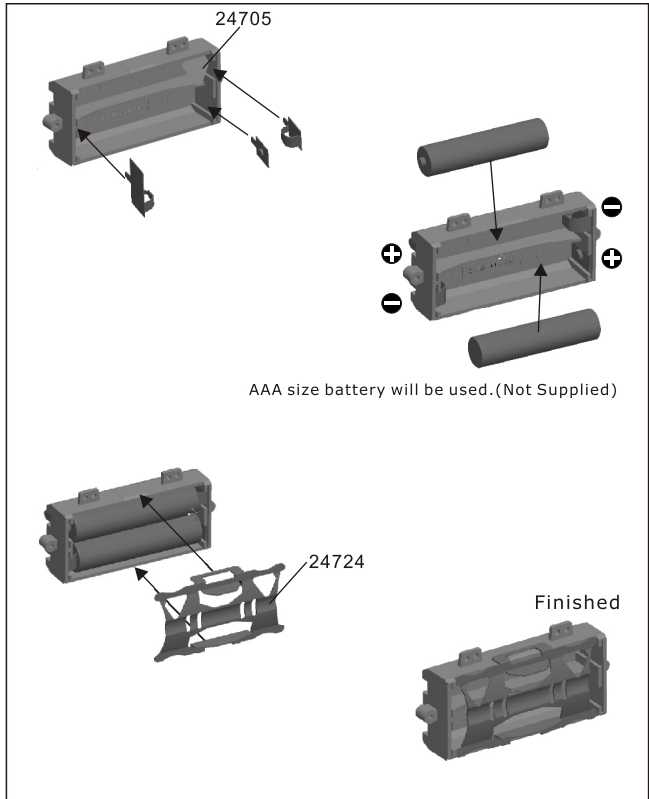
Note: The illustration might vary from the actual part.

CENTRE UNIT ASSEMBLY-2



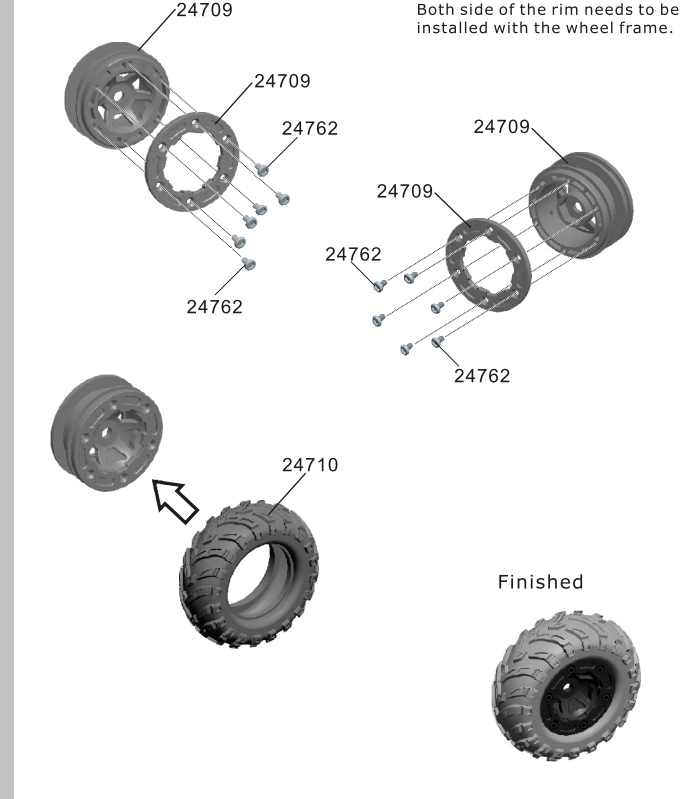
Note: The illustration might vary from the actual part.

BATTERY COMPARTMENT ASSEMBLY



Note: The illustration might vary from the actual part.

WHEEL ASSEMBLY



Note: The illustration might vary from the actual part.