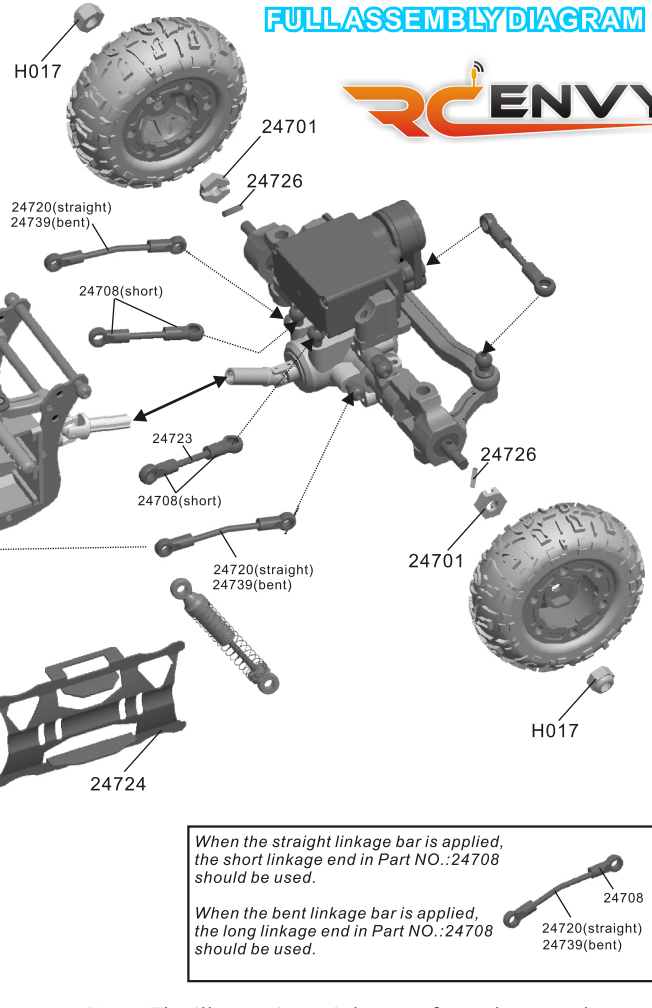
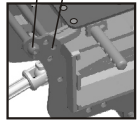


① ②

**Shock Upper Mount Relocation:**  
 Position 1 or Position 2  
 To place the mount ball on position 1  
 or position 2 can relocate the shocks as desired.

**Recommended:**  
 Once the mount ball rests on position 1,  
 it is better to use with softer shock  
 spring (Item No.: 24740) for best  
 crawling performance.



When the straight linkage bar is applied,  
 the short linkage end in Part NO.:24708  
 should be used.

When the bent linkage bar is applied,  
 the long linkage end in Part NO.:24708  
 should be used.

