

1/10th 4WD Electric Power R/C Trophy Truck/Desert SCT

Specifications:

| STYLES | LENGTH | WIDTH | HEIGHT | WHEEL BASE | DRIVE SYSTEM | WHEEL DISTANCE | GEAR RATIO | SERVO |
|--------|--------|-------|--------|------------|-----------------|----------------|------------|-------|
| Truck | 440mm | 255mm | 162mm | 265mm | 4WD Shaft Drive | 220mm | 1:8.134 | 3kg |
| SCT | 465mm | 270mm | 175mm | 265mm | 4WD Shaft Drive | 220mm | 1:8.13 | |

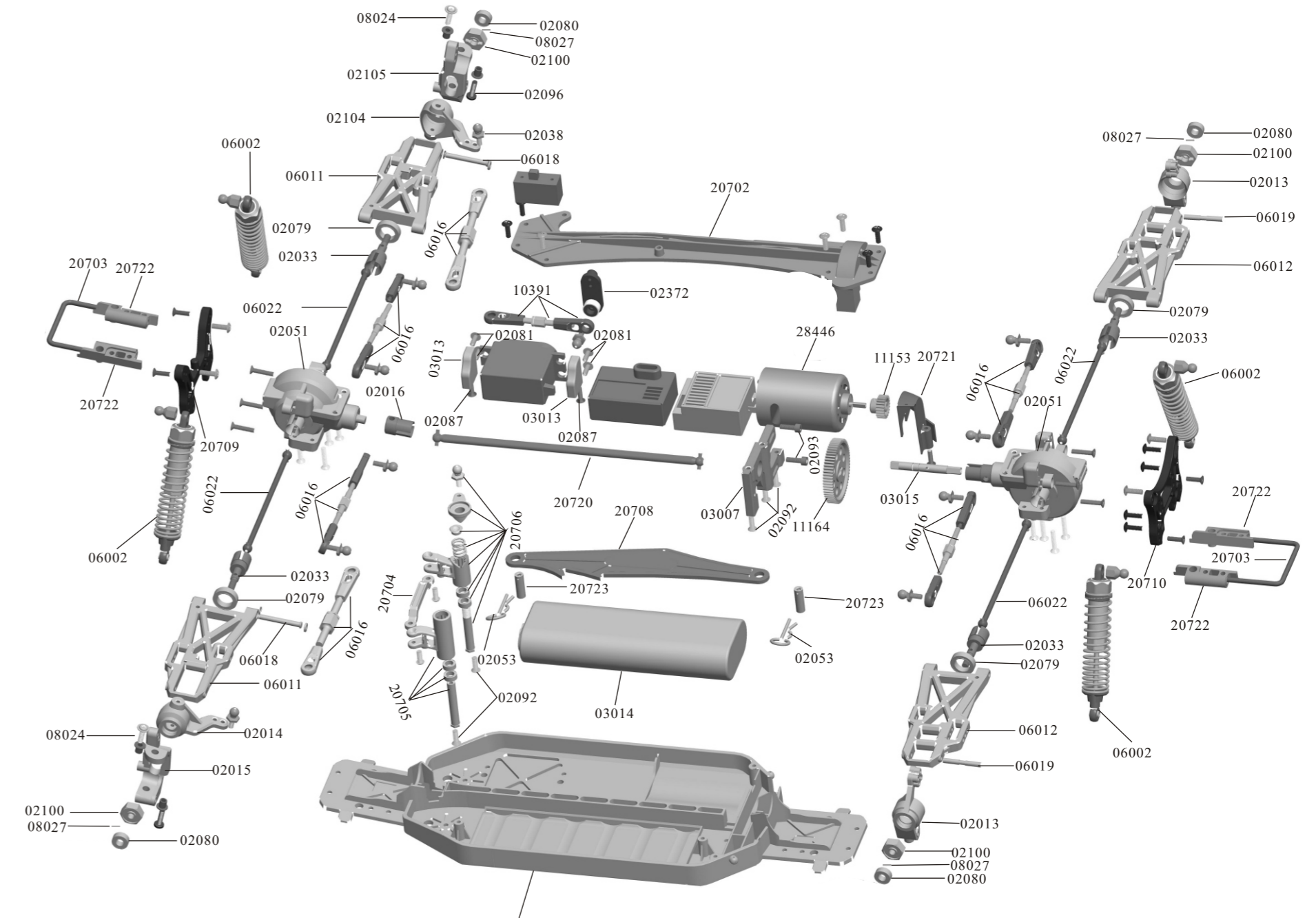
| Styles | Motor | KV (Brushless Motor) | Motor RPM range | Battery Specification | ESC Specification | ESC Temperature protection | Under Voltage Protection | Gear Ratio | Speed |
|------------------------|--------------|----------------------|----------------------|---|---|----------------------------|--------------------------|------------|--------------|
| Brush Version | Re540 | | 20000rpm | NiMH-7.2V-1800mAh | Continue Forward 150A/Continue outward 100A | | | 1/8.134 | 28KM |
| Brushless Version | 3650 (RC540) | 3300KV | 23760rpm 24420rpm | NiMH-7.2V-2000mAh LiPO-7.4V-3600mAh 25C | Brushless 45A | 98(+/-3-5 centigrade) | below 5V1A | 1/7.195 | 41KM 45KM |
| TOP. Brushless Edition | 3650 (RC540) | 2724KV | 22882rpm 30236rpm | NiMH-8.4V-3000mAh LiPO-11.1V-3600mAh 25C | Brushless 45A w/Fan | 98(+/-3-5 centigrade) | below 7.2V1A | 1/7.195 | 62KM |

Spare Part

| | | | | |
|----------------------------------|--|------------------------------|-------------------------------|----------------------------------|
| 06011-Front Lower Suspension Arm | 06012-Rear Lower Suspension Arm | 02014-Steering Hub (L/R) | 02015-Front Hub Carrier (L/R) | 02013-Rear Upright+Set Screw 4*4 |
| 02033-Wheel Axle | 02016-Universal Joint Cup B+ GrubScrew 4*4 | 02032-Universal Joint Cup C | 20709-Front Shook Tower | 20710-Rear Shook Tower |
| 06002-Shock Absorber | 03007-Motor Mount | 03300-Motor Heat Proof Cover | 28446-Motor(Rc550) | 02500-Motor Line |
| 11153-Motor Gear (23T) | 02029-Crown Gear (38T) | 11164-Diff.Main Gear (64T) | 02024-Diff.Main Gear Complete | 03015-Drive Gear Shaft+E-Clips |

Spare Part

| | | | | |
|-------------------------------|---|---|-------------------------------------|---|
| 02066-Diff.Pinions+ Pin | 02039-Differential Box+Seals+Washers | 20721-Gear Shelter | 02051-Gear Box | 20701-Chassis |
| 20702-Radio Tray | 03013-Radio Tray Mount | 20708-Battery Cover | 03014-Battery (7.2V 1800mAh) | 20723-Battery Cover Post |
| 20704-Steering Ackerman Joint | 20706-Steering Set A | 20705-Steering Set B | 06016-Front/Rear Link | 10391-Servo Link |
| 02372-Servo Arm | 20722-Front/Rear Suspension Mount | 20703-Front/Rear Suspension Pin | 06018-Front Lower Arm Pin B3*27.5mm | 06019-Rear Lower Arm Round Pin B 3*24.5mm |
| 06022-Front/Rear Dogbone 87mm | 20720-Centre Drive Joist(164.5mm) | 08027-Pin 2*10mm | 20101-Pin 2*6mm | 20102-Front Bumper |
| 20103-Rear Bumper | 20104-Front/Rear Post Mount (Trophy Truck Only) | 20128-Front/Rear Post Mount (Desert SCT Only) | 20105-Control Board | 20106-Roll Cage |
| 20107-Roll Cage A/B | 20108-Roll Cage C | 20109-Roll Cage F | 20110-Helmet+BT2*6 BH Screw | 20112-Wheel Rim |



Trophy Truck/Desert SCT Full Assembly View (1)

Spare Part

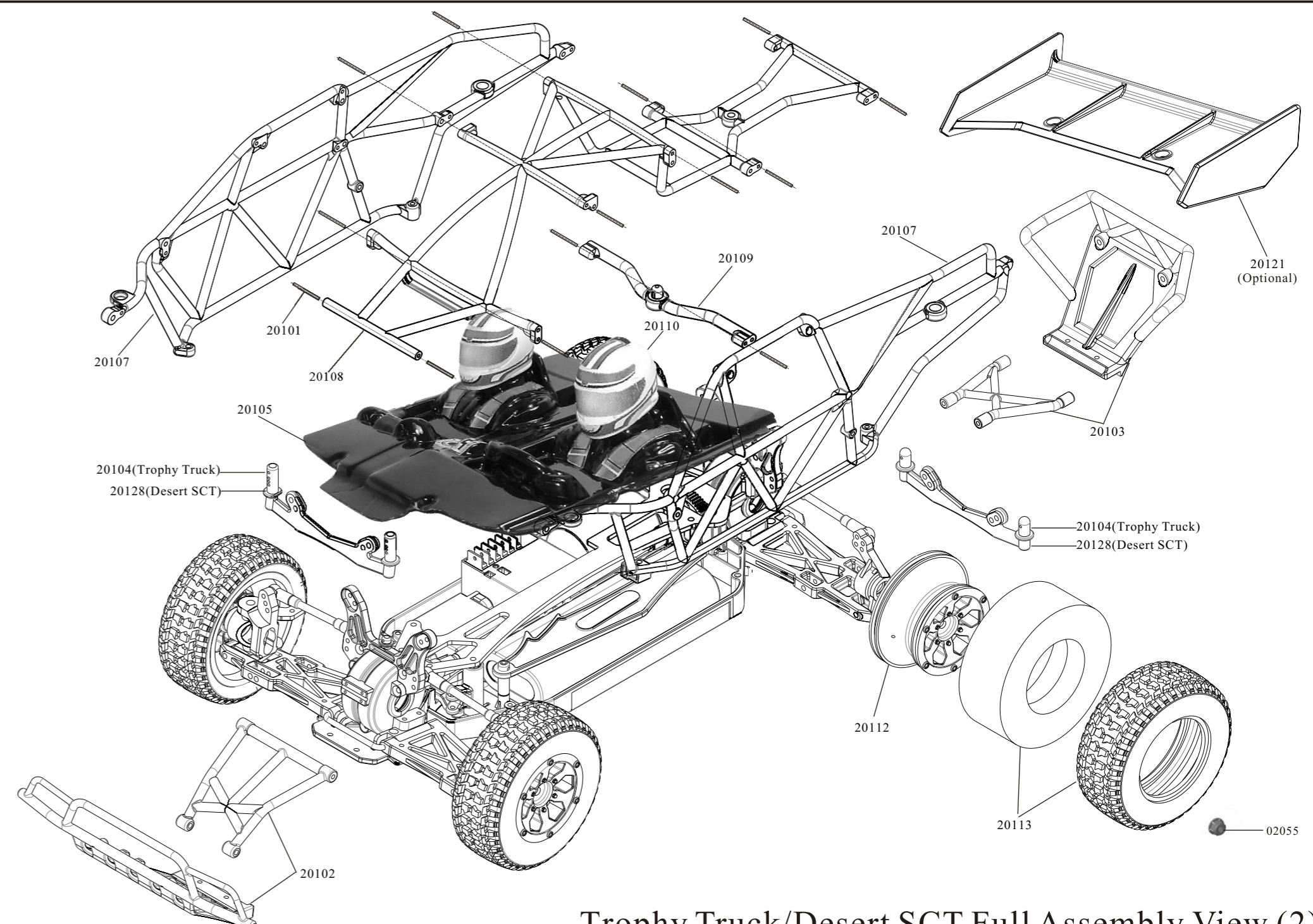
| | | | | |
|--------------------------------------|--|--|---|--|
| 20113-Tyre+Insert Sponge | 20114-Wheel Complete | 20115-PVC Wheel Complete +Cap Head Machine Screw 3*10 | 20121-Wing (Optional) | 20116-Shock Ball Stud B |
| 2530-Power Commutator | 02057-Antenna Pipe | 02053-R- Clip | 02101- Steering Bushing | 02103- Zip Tie |
| 02100- Wheel Hex. | 02037-E-Clip (∅7∅4∅2.5∅2.3) | 02079-Oil Bearing ∅15*∅10*4 | 02080-Oil Bearing ∅5*∅10*4 | 02078-O-Ring |
| 02138-Ball Bearing ∅15*∅10*4 | 02139-Ball Bearing ∅10*∅5*4 | 06007-Link Ball Head | 02102- M3 Nylon Lock Nut | 02055-Nylon Locknut M4 |
| 02038-Ball Head Screw | 02099- Grub Screw M4*4 | 02127-M3*14 Grub Hex. Screw 10P | 02093-M3*10 Column Head Machine Screw 10P | 08024- Discal Screw M3*11 8P |
| 02096-3*10 Cap Head Machine Screw 6P | 02081-Cap Head Self-Tapping Screw 3*8 6P | 60077-Cap Head Self-Tapping Screw 3*6 12P | 02082-Cap Head Self-Tapping Screw 3*10 10P | 02086-Round Head Self-Tapping Screw 2*10 10P |
| 58058-BT2*6 BH Screw 6P | 02087-Countersunk Cross Head Self-Tapping Screw 3*10 15P | 02088-Countersunk Cross Head Self-Tapping Screw 3*14 13P | 02089-Countersunk Cross Head Self-Tapping Screw 3*15 9P | 02092-ISO 3*10 Screw 8P |

Pro.Spare Parts

| | | | | |
|---------------------------------------|-------------------------------|-------------------------------------|---|------------------------------------|
| 106004-Aluminum Shock Absorber | 03302-Brushless Motor KV:3300 | 102048-Aluminum Nut M3 | 102049-Aluminum Nut M4 | 11184-Diff.Main Gear (64T)Metal |
| 11176-Motor Gear (26T)Metal | 20117-Chrome Plated Spoke Rim | 20118-Chrome Plated Spoke Roll Cage | 20119-Chrome Plated Spoke Wheel Complete +Cap Head Machine Screw 3*10 | 03200-Battery Ni-MH (7.2V 2000mAh) |
| 03204-Battery LiPO (7.4V 3600mAh 25C) | | | | |

Upgradable Optionals

| | | | | |
|--|---|---|--|-----------------------------------|
| 102210-Aluminum Front Hub Carrier(L/R)+Flat Head Mechanical Screws 3*15mm*2P | 102211-Steering Hub (L/R)(AL)+Cap Head Mechanical Screws 3*12*2P/3*11mm*2P | 102212-Aluminum Rear Hub Carrier(L/R)+Flat Head Mechanical Screws 3*15mm*2P+M4*4 Grub Hex. Screw 2P | 102042-Aluminum Wheel Hex. Mount | 102048-Aluminum Nut M3 |
| 106004-Aluminum Shock Absorber | 106617-Front/Rear Servo Link (AL)+Flat Head Mechanical Screws 3*14mm*4P+Nut M3*4P | 106619-Front Lower Arm (AL)+Grub Hex. Screw M3*12*2P+4*6*2P | 106621-Rear Lower Arm (AL)+Grub Hex. Screw M3*12*2P+4*6*2P | 207001-Aluminum Front Shock Tower |
| 207002-Aluminum Rear Shock Tower | 207003-Aluminum Ackerman Plate | 207004-Front/Rear Suspension Mount | 28434-LiPO Battery 11.1V 3600mAh25CC | 03404-Brushless Motor KV:2724 |



Trophy Truck/Desert SCT Full Assembly View (2)